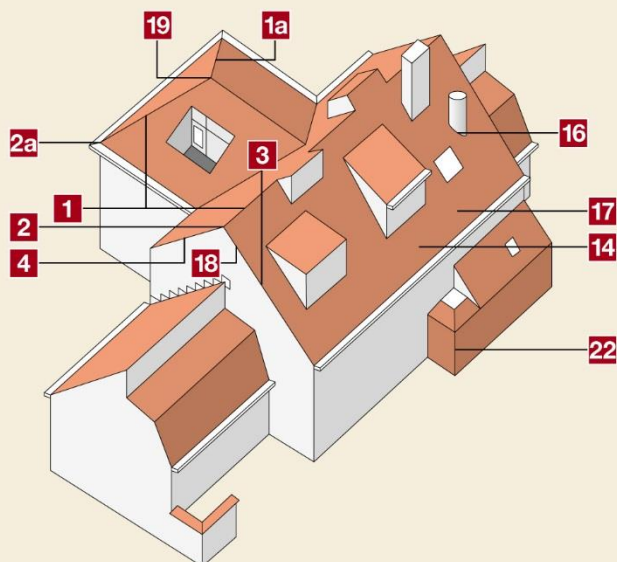




# KORAMIC

Kleidakpannen. Tuiles Terre Cuite.

## Actua



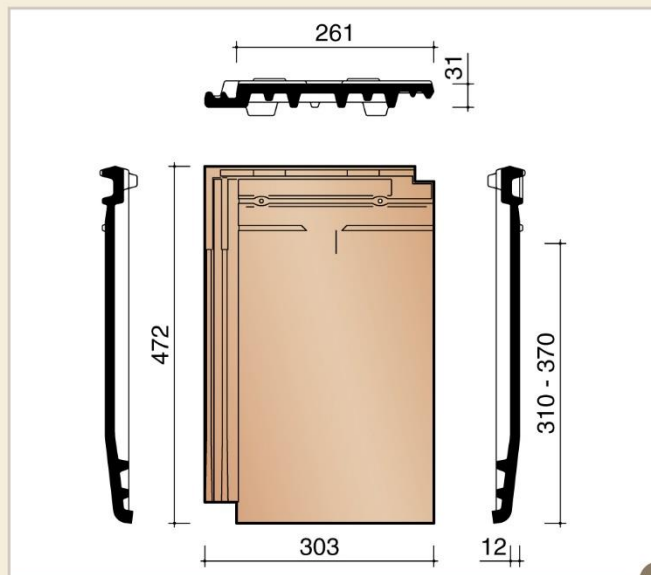
### DIMENSIONS

#### Effective Cover Width

Length/Gauge ± 310-370 mm  
Width/Gauge ± 261 mm

#### Overall Size

Length ± 472 mm  
Width ± 303 mm



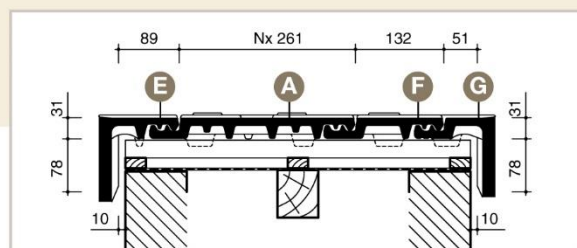
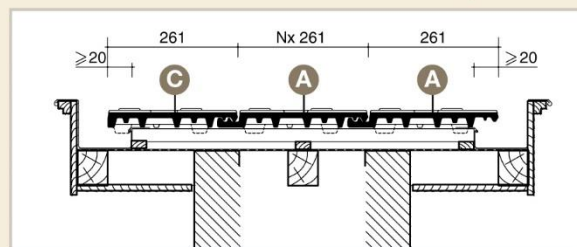
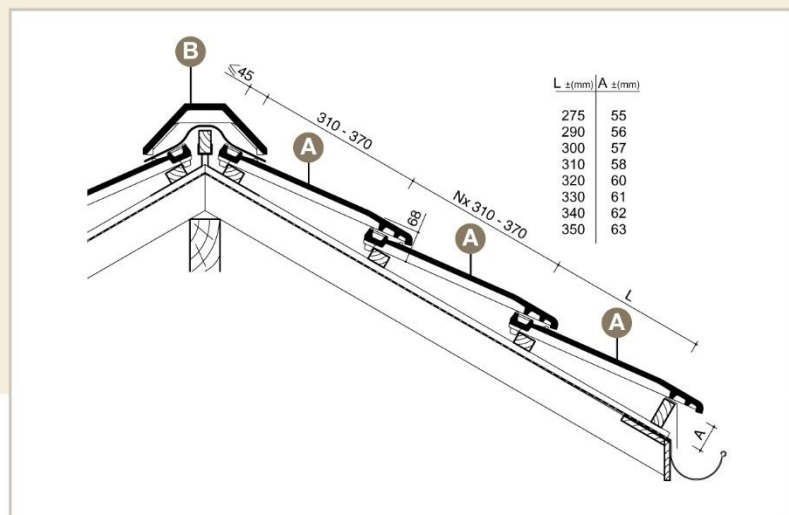
Manufactured to EN 1304

### TECHNICAL DATA



Data	Plant: Migeon
	Model: Actua
Weight/tile	± 4.4 kg
Weight/m <sup>2</sup>	± 46.2 kg
Crushing strength	> 900 N (EN538)
Water impermeability	≤ 0.50 cm <sup>3</sup> /cm <sup>2</sup> .d (EN539-1)
Frost resistance	guarantee for 30 years
Batten size	50 x 25 mm (BS 1202)
Nails	copper, steel or aluminium alloy (BS 1202)
Minimum pitch	
15° - 22°	Batten spacing: 310 - 320 mm (± 12.4 tiles/m <sup>2</sup> )
> 22°	Batten spacing: 310 - 370 mm (± 10.5 tiles/m <sup>2</sup> )

### ROOF DETAILS

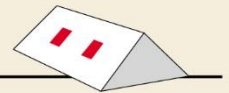


# RIDGES AND HIP TILES



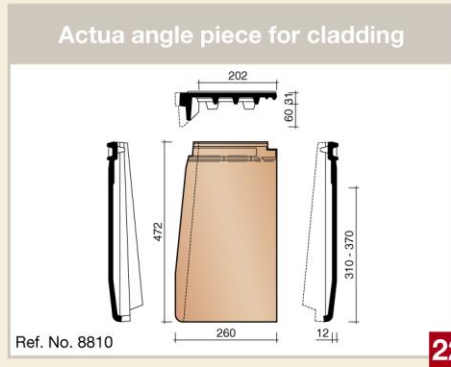
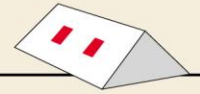
<p>Actua angular ridge - hip (3/m)</p> <p>Ref. No. 2800</p>	<p>Actua angular begin ridge</p> <p>Ref. No. 2810</p>	<p>Actua angular end ridge</p> <p>Ref. No. 2820</p>
<b>B 1</b>	<b>2</b>	<b>2</b>
<p>Actua angular end hip tile</p> <p>Ref. No. 2860</p>	<p>Vauban angular hip tile (4/m)</p> <p>Ref. No. 1900</p>	<p>Vauban angular end hip tile</p> <p>Ref. No. 1960</p>
<b>2a</b>	<b>B 1a</b>	<b>2a</b>

# VERGE & VARIOUS FITTINGS

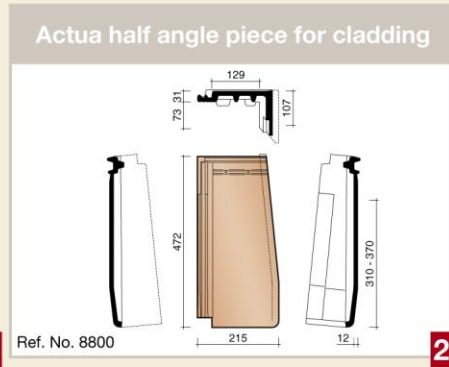


<p>Actua cloaked verge tile left hand (1.4/m)</p> <p>Ref. No. 7080</p>	<p>Actua half tile</p> <p>Ref. No. 8010</p>	<p>Actua cloaked verge tile right hand (1.4/m)</p> <p>Ref. No. 7090</p>
<b>E 3</b>	<b>F 14</b>	<b>G 4</b>
<p>Actua 1/2 cloaked verge tile left hand (1.4/m)</p> <p>Ref. No. 7020</p>	<p>Actua ventilation tile with synthetic grid</p> <p>Ref. No. 8640</p>	<p>Actua 1/2 cloaked verge tile right hand (1.4/m)</p> <p>Ref. No. 7030</p>
<b>E 3</b>	<b>17</b>	<b>G 4</b>
<p>Actua half tile without side interlocking</p> <p>Ref. No. 8040</p>	<p>Actua tile without side interlocking</p> <p>Ref. No. 8050</p>	<p>Actua connector 3 directions - in combination with ridges 2800</p> <p>Ref. No. 5340</p>
<b>18</b>	<b>C 18</b>	<b>19</b>

## VERGE & VARIOUS FITTINGS



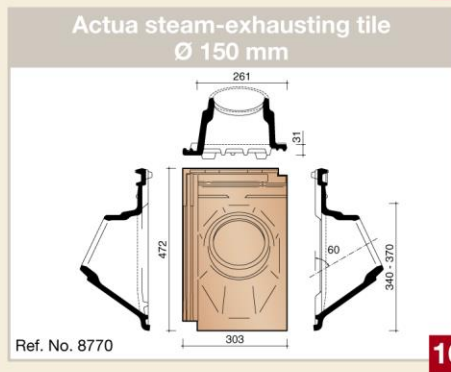
22



22



16



16

**Vertical angle tiles for cladding**

